

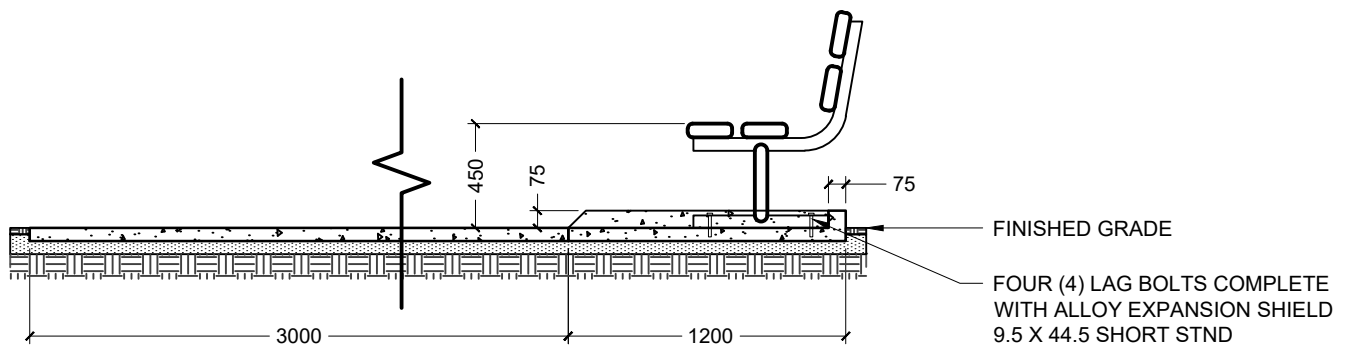
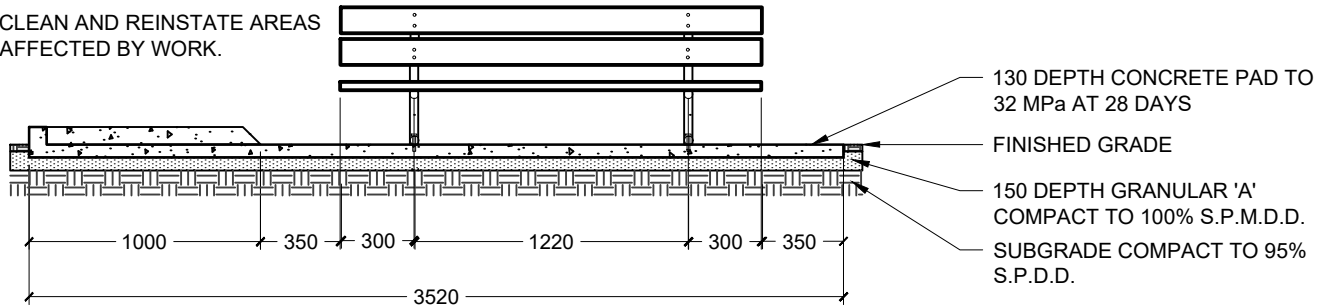
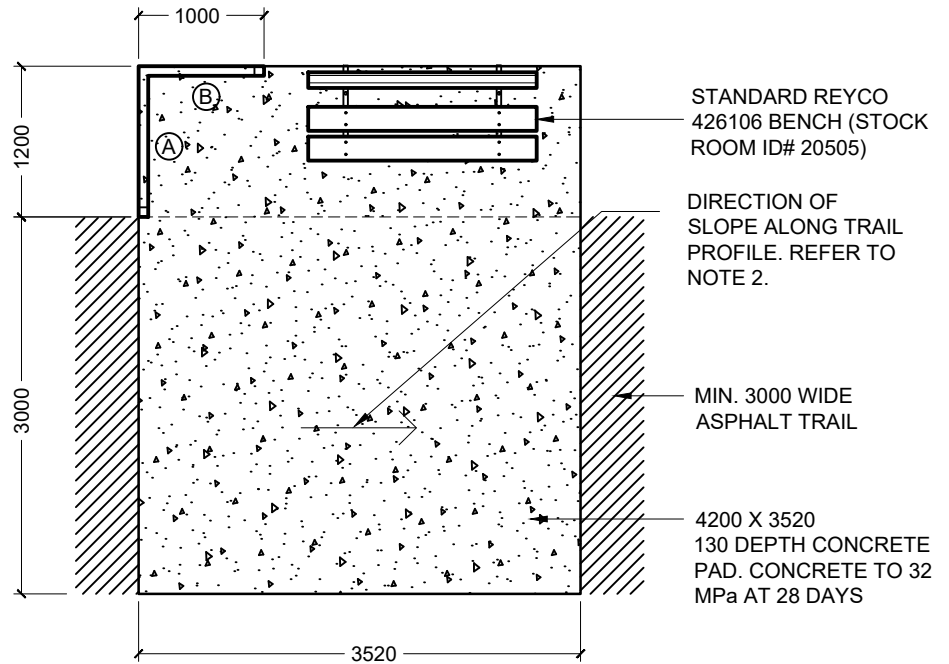
STOP CURB DETAILS:

(A) 1200 L X 75 W X 75 H CONCRETE CURB
CONCRETE TO 32 MPa AT 28 DAYS

(B) 1000 L X 75 W X 75 H CONCRETE CURB
CONCRETE TO 32 MPa AT 28 DAYS

NOTES:

1. LOCATE BENCH MINIMUM 3000 FROM WASTE RECEPTACLE.
2. IF TRAIL PROFILE IS SLOPING IN THE OPPOSITE DIRECTION MIRROR THE PARK BENCH AND ACCESSIBLE RESTING AREA TO ENSURE NO PONDING OCCURS IN THE ACCESSIBLE RESTING AREA DUE TO THE CURBS.
3. WHEN A STANDALONE BENCH IS PROPOSED. THE CONCRETE PAD SHALL BE 2520 X 1200 COMPLETE WITH BROOM FINISH AND FINISHED EDGES.
4. CLEAN AND REINSTATE AREAS AFFECTED BY WORK.



ALL DIMENSIONS ARE IN MILLIMETERS UNLESS OTHERWISE SHOWN.

STANDARD DRAWING

REV 1

MAY 2023

**ACCESSIBLE RESTING AREA
AND PARK BENCH DETAIL**

THE CITY OF
Waterloo

CW-811