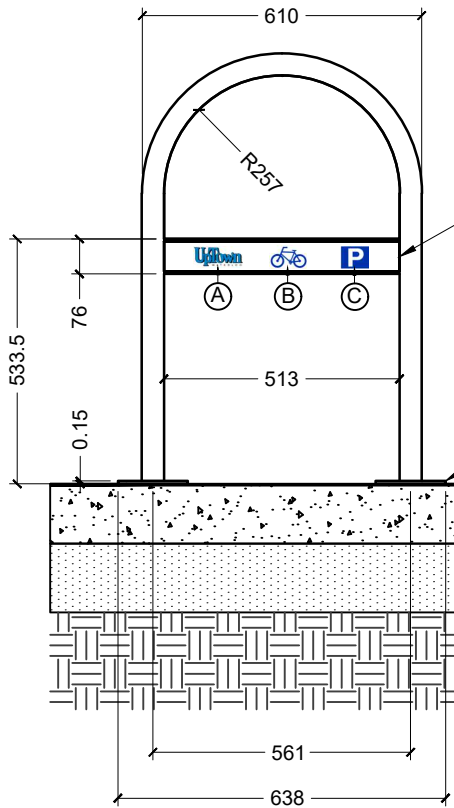
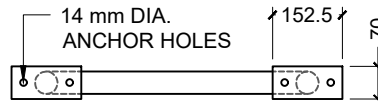


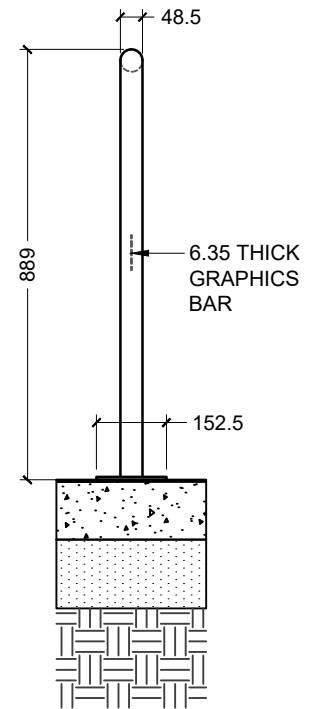
FRONT VIEW





TOP VIEW



SIDE VIEW



GRAPHICS BAR WITH CITY STANDARD VINYL GRAPHICS

(A)  CITY OF WATERLOO LOGO OR
 UPTOWN WATERLOO LOGO

(B)  BIKE SYMBOL

(C)  PARKING SYMBOL

SURFACE MOUNT BASE PLATES TO CONCRETE USING ANCHOR BOLTS

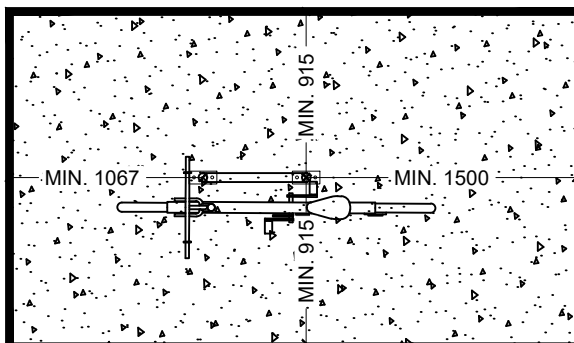
FINISHED GRADE

130 DEPTH CONCRETE PAD TO 30 MPa AT 28 DAYS

MIN. 150 DEPTH GRANULAR 'A' BASE COMPACT TO 95% S.P.D.D.

SUBGRADE COMPACT TO 95% S.P.D.D.

MIN. CLEARANCES



NOTES:

1. COLOUR OF SINGLE ARCH BIKE RACK TO BE DETERMINED BY THE CITY OF WATERLOO:

GLOSS BLUE (RGB 0,0,255) OR
BLACK (RGB 0,0,0)

2. CONCRETE PAD WITH TROWELED EDGE AND BROOM BRUSHED SURFACE.

3. POLYESTER POWDER OVER ZINC RICH PRIMER. HOT DIP GALVANIZED.

4. CONTACT CITY OF WATERLOO FOR GRAPHIC STICKERS.

ALL DIMENSIONS ARE IN MILLIMETERS UNLESS OTHERWISE SHOWN.

STANDARD DRAWING

REV 1

MAY 2023

SINGLE INVERTED 'U' BIKE RACK

THE CITY OF
Waterloo

CW-812