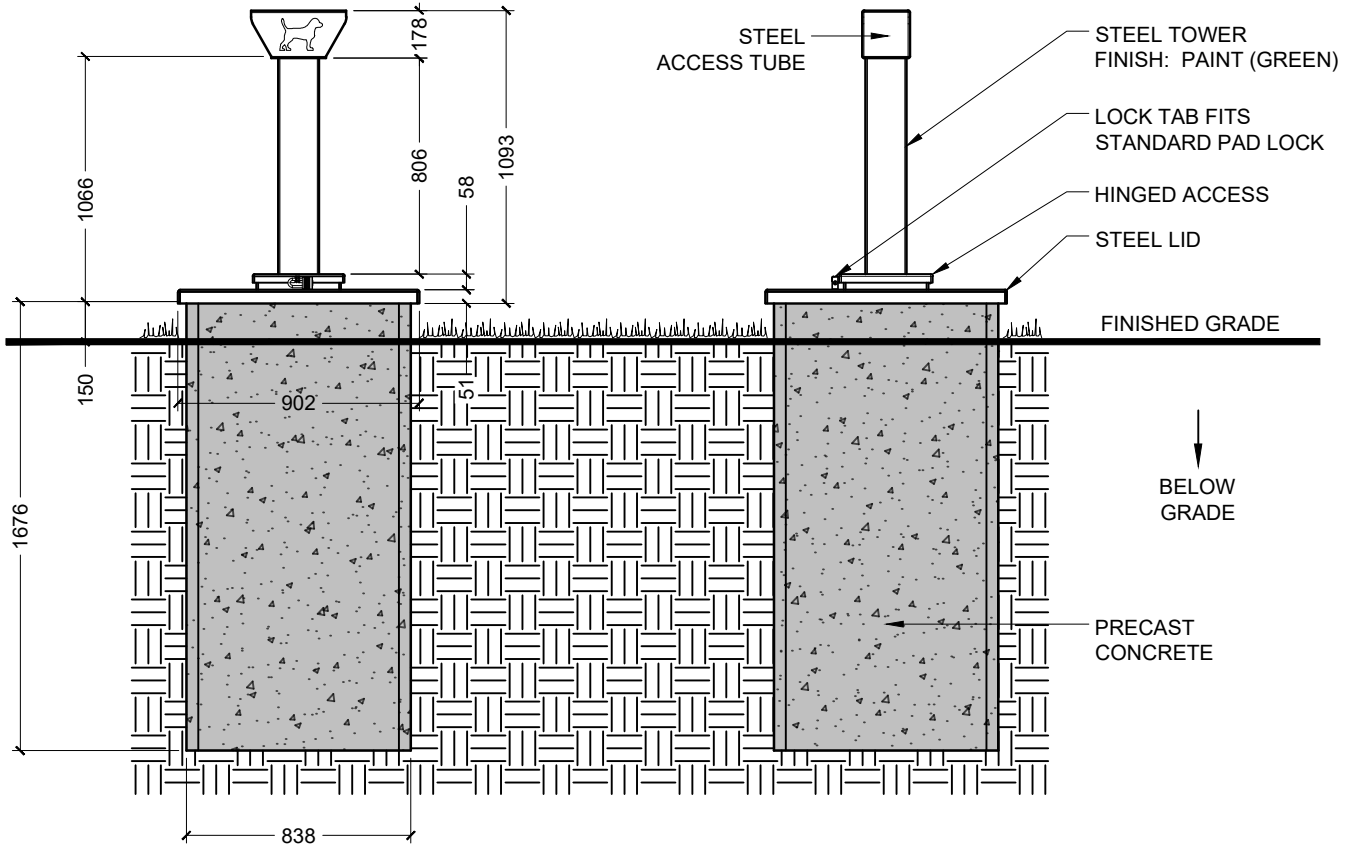
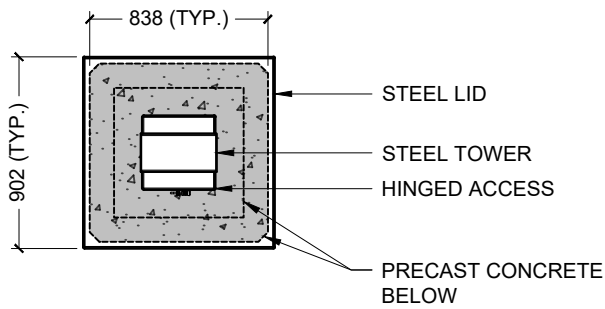


FRONT VIEW

SIDE VIEW



TOP VIEW



NOTES:

1. DOG WASTE: 542 LITERS
2. EXCAVATION: MIN 1.5 m x 2.5 m (5' x 8').
3. PRODUCT TO BE INSTALLED AS PER MANUFACTURER'S INSTRUCTIONS.
4. KEEP CLEAN BY SPRAYING DOWN WITH CLEAN WATER. GREASE ACCESS LID HINGES ANNUALLY.
5. CONTENTS TO BE REMOVED WITH BAG SYSTEM.

ALL DIMENSIONS ARE IN MILLIMETERS UNLESS OTHERWISE SHOWN.

STANDARD DRAWING

REV 1

MAY 2023

DOG WASTE CONTAINMENT SYSTEM

THE CITY OF

Waterloo

CW-832